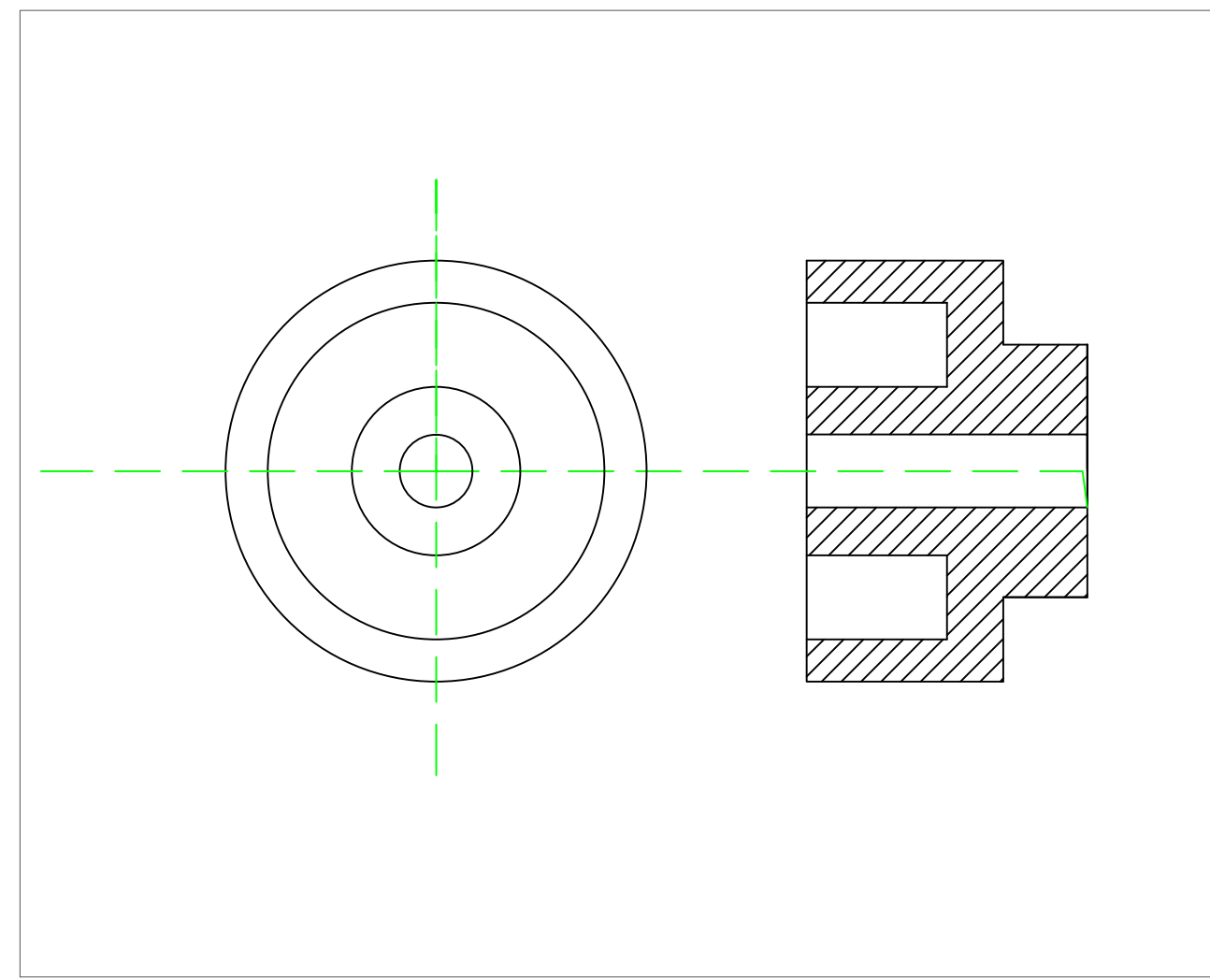
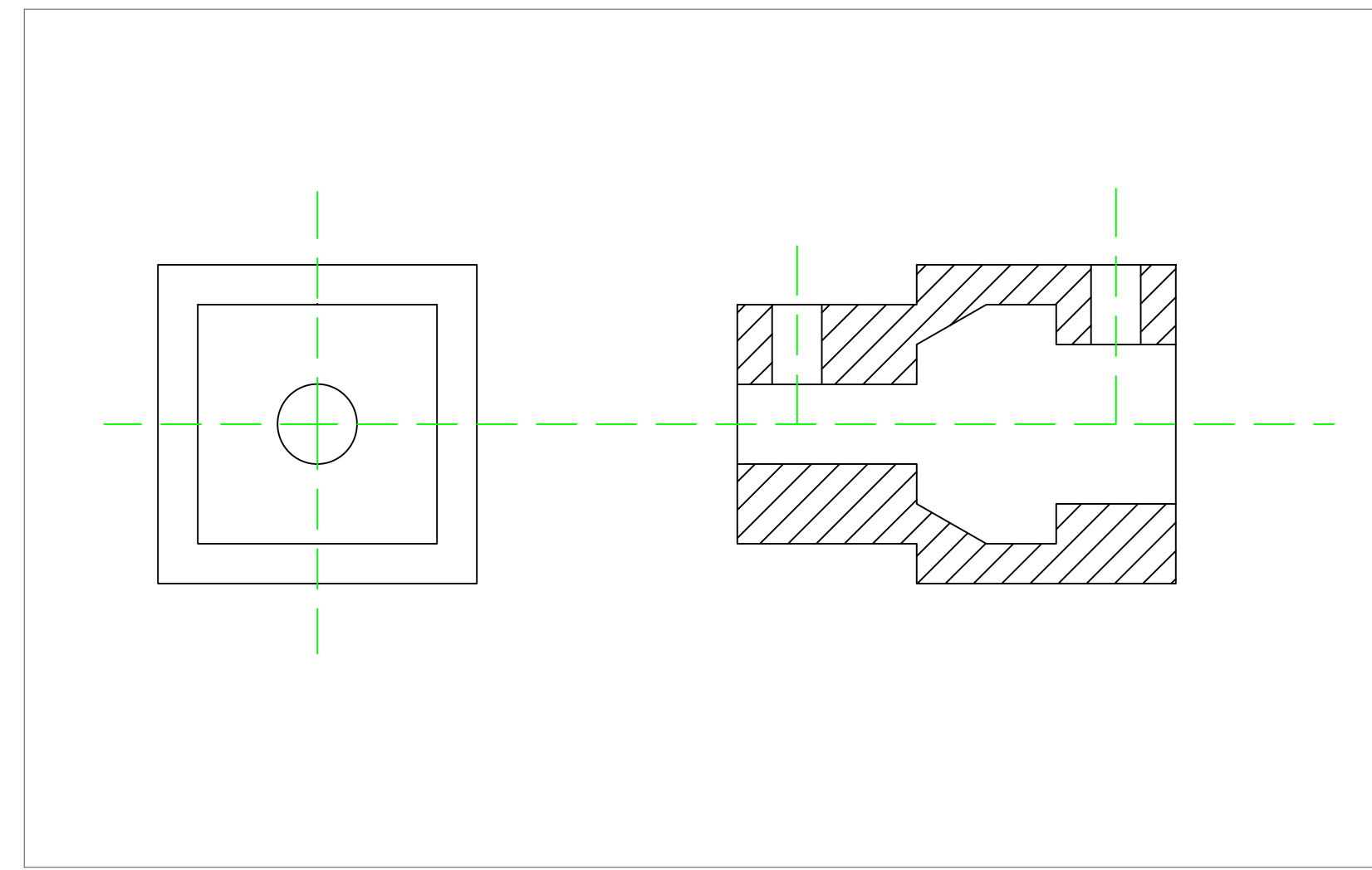


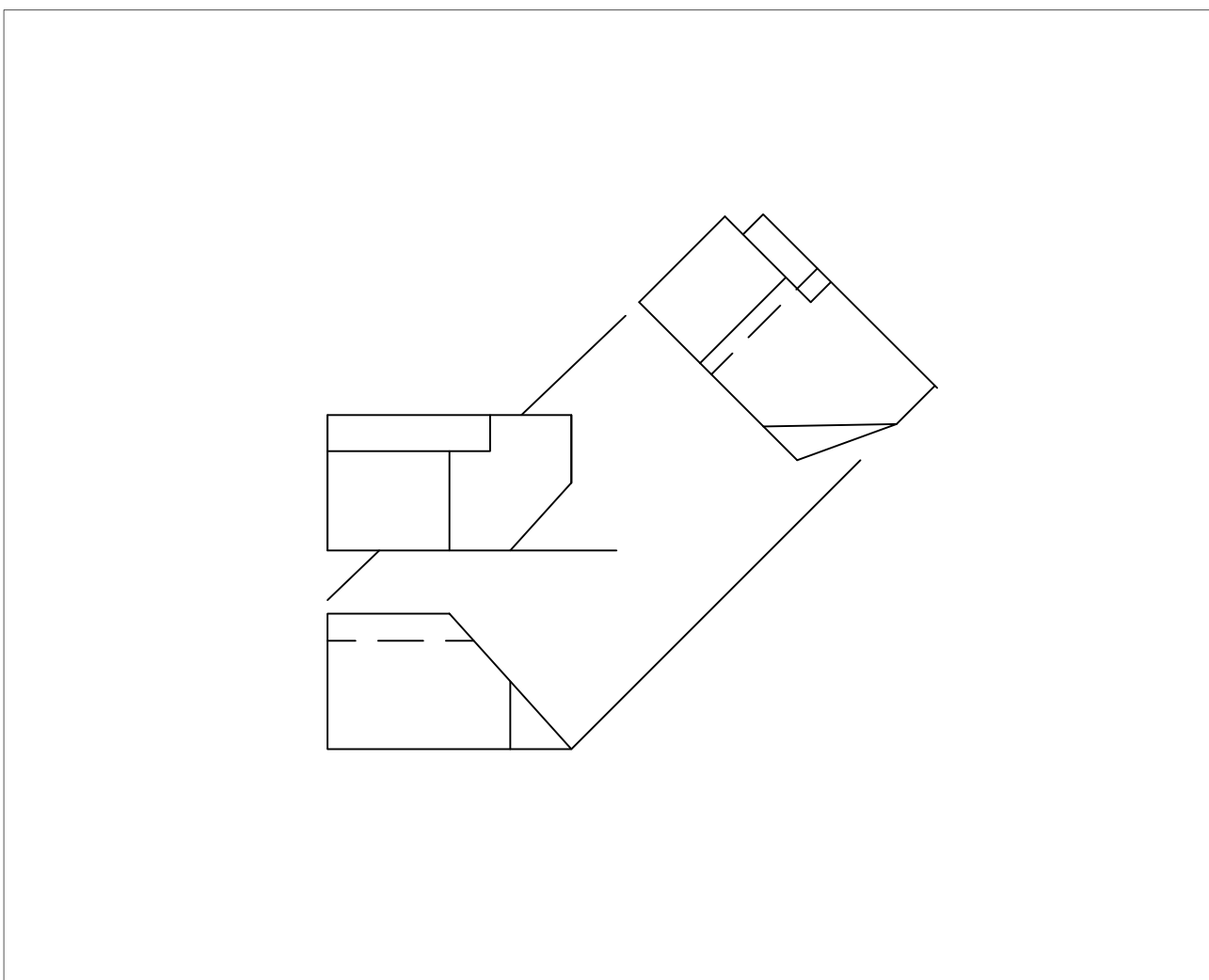
1 1-1
Scale: 3/16"=1"



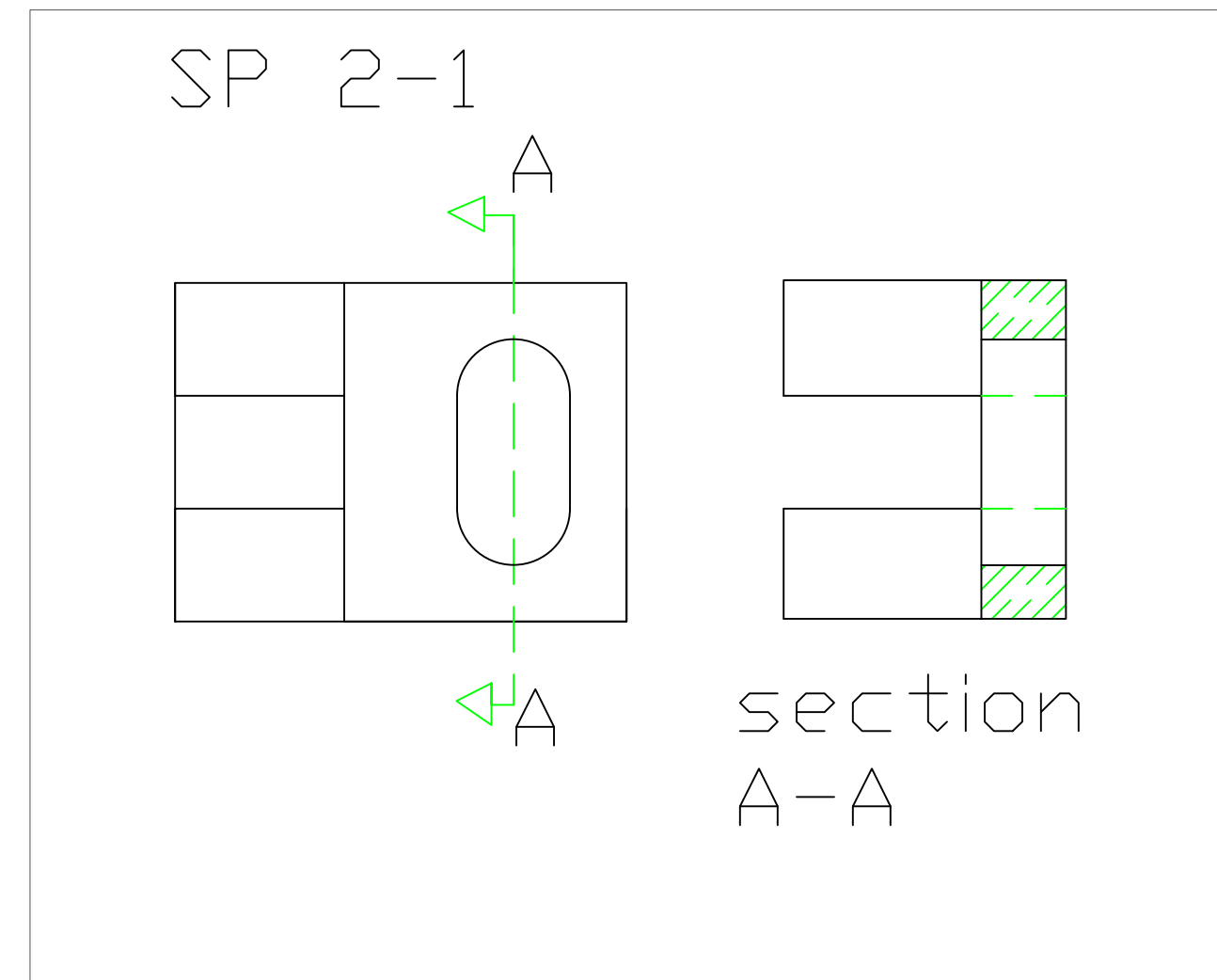
2 1-2
3/8"=1"



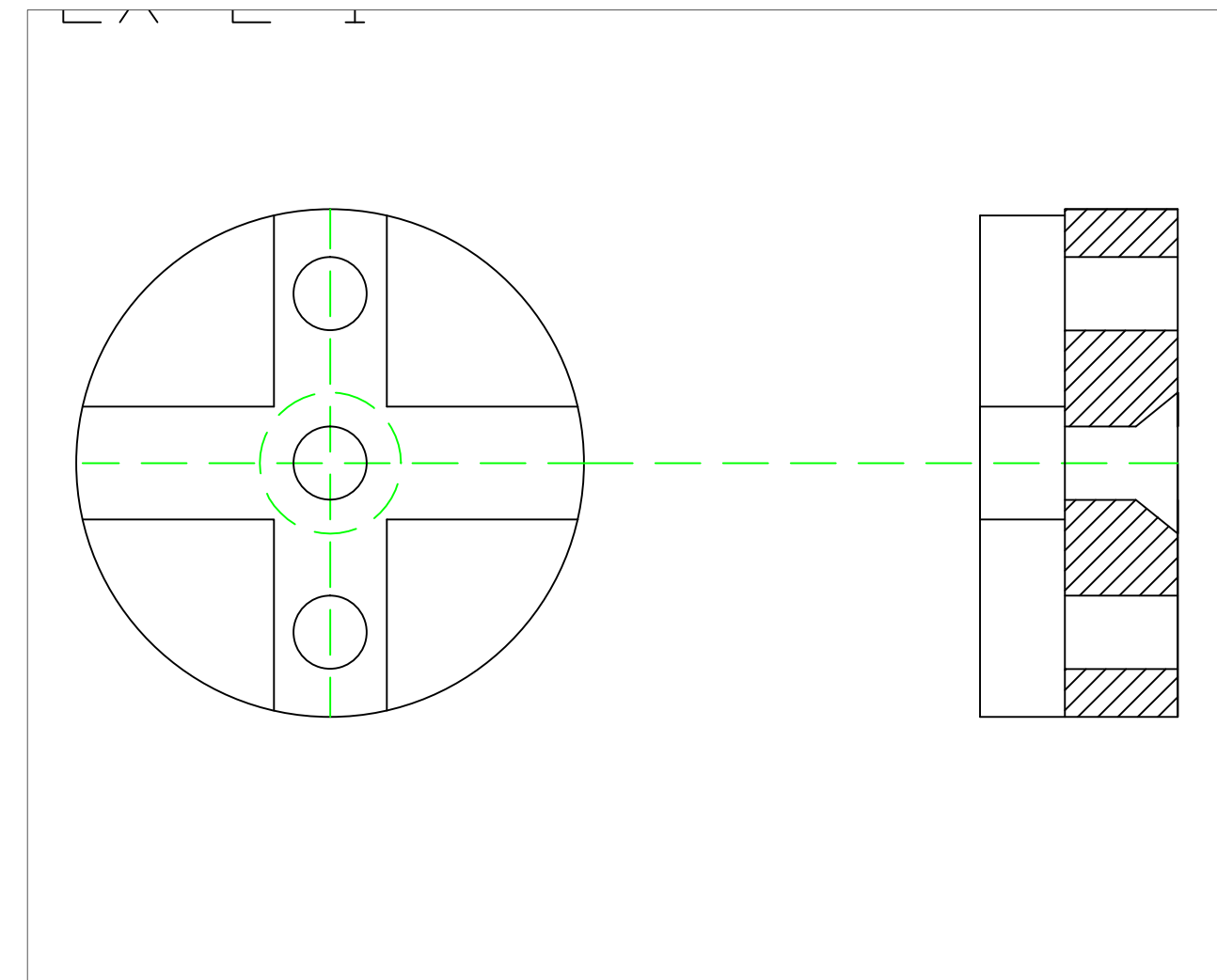
3 1-3
1"=1"



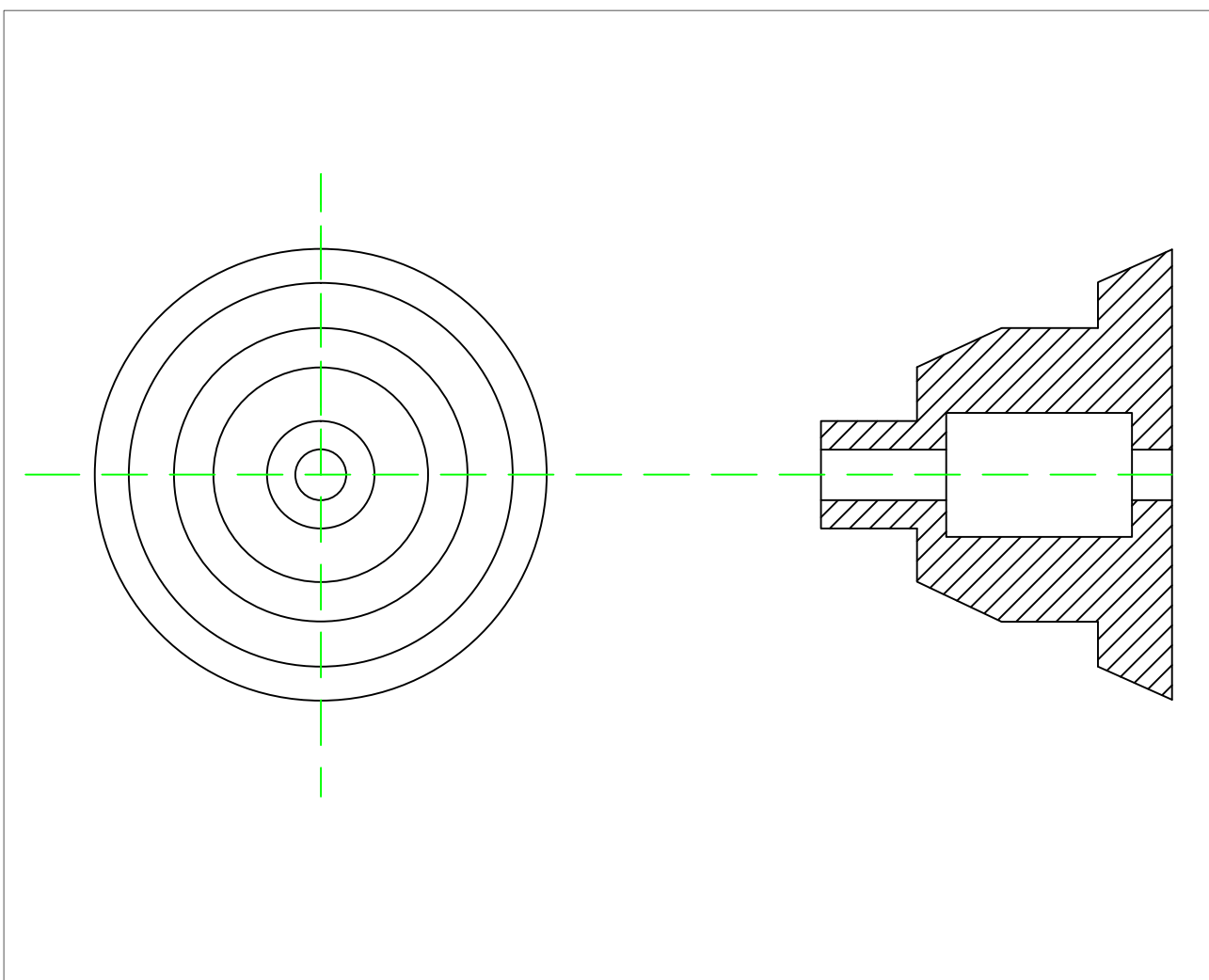
4 1-4
3"=1"



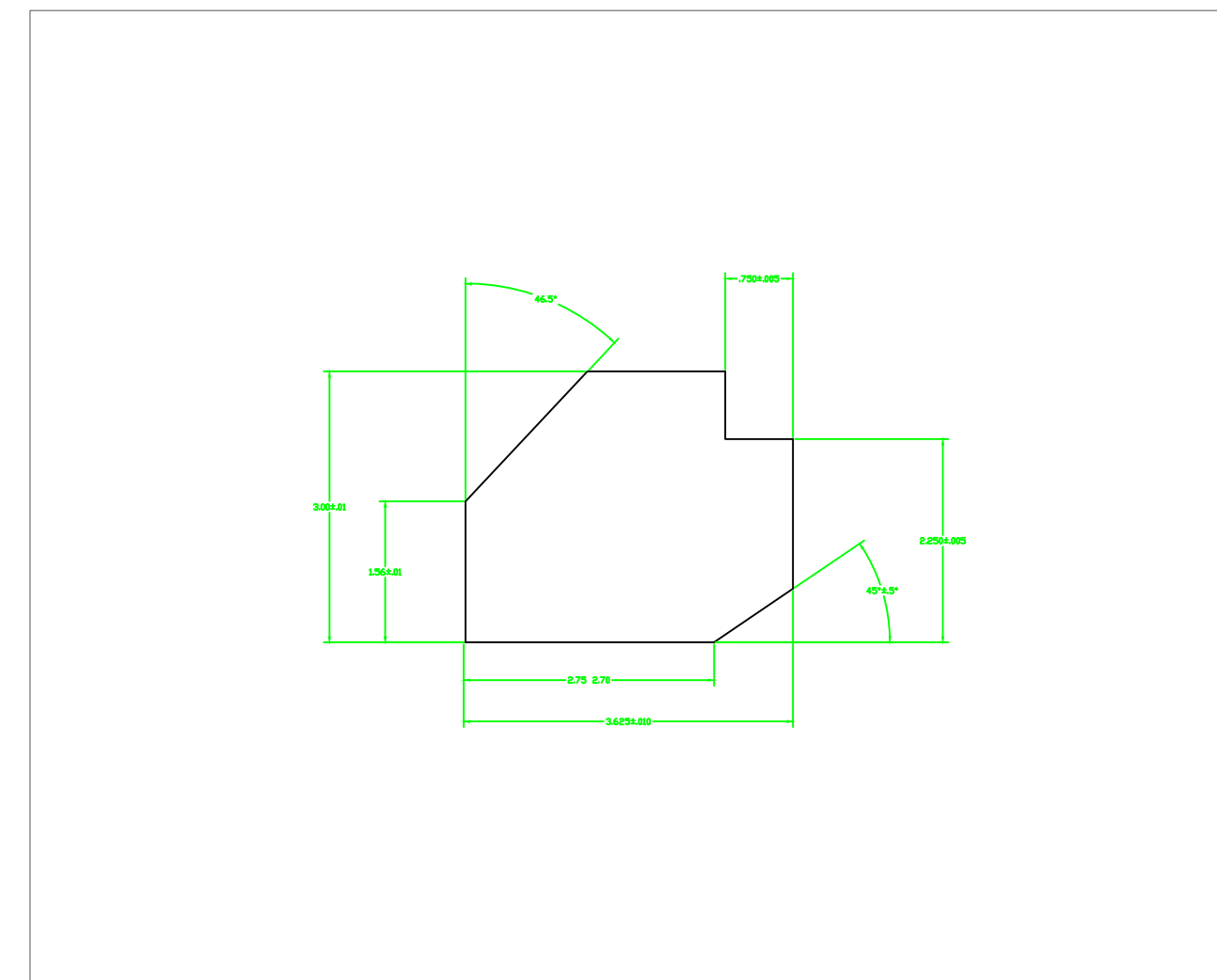
5 1-5
3/8"=1"



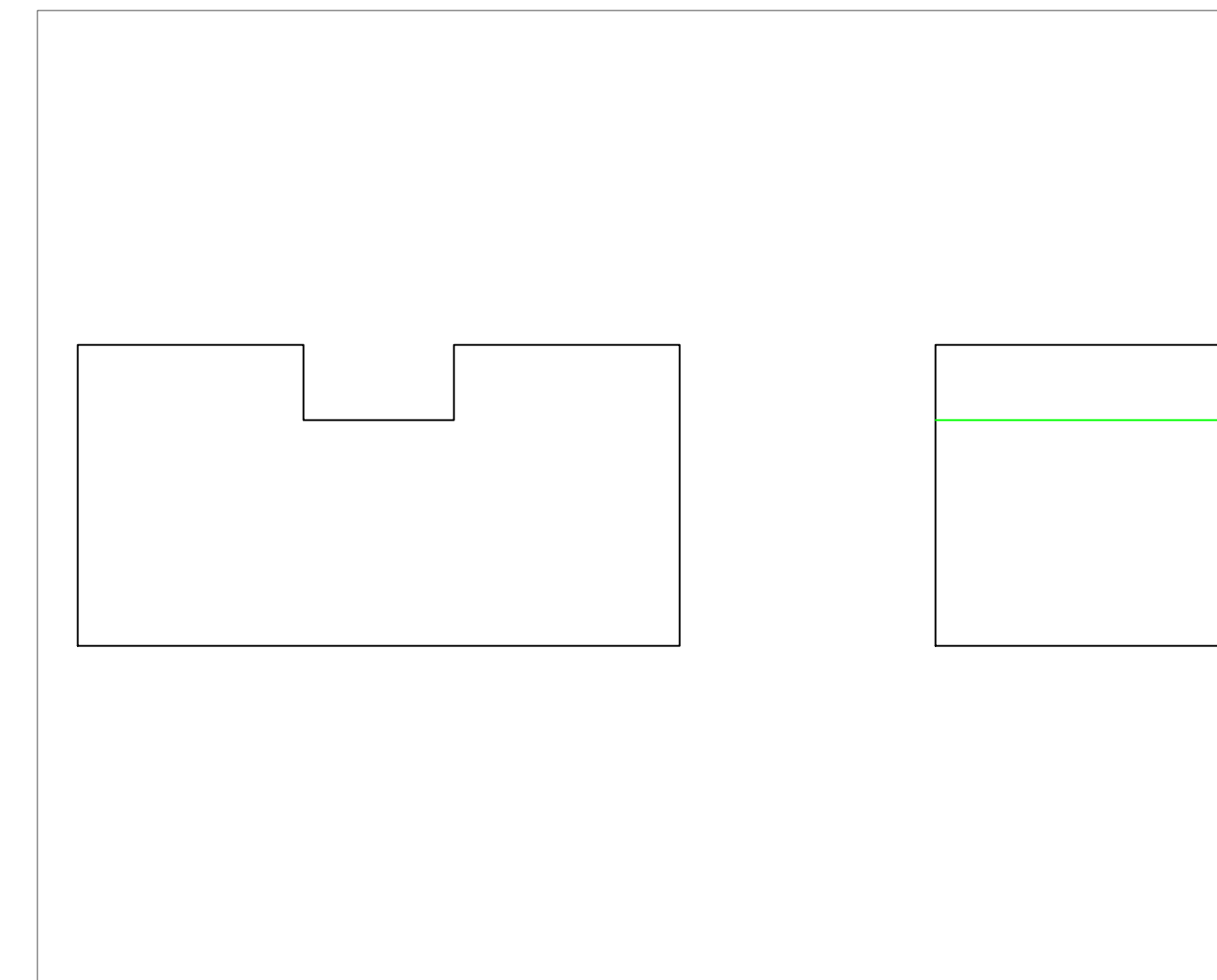
6 1-6
3/8"=1"



7 1-7
3/8"=1"



8 1-8
6"=1"



9 1-9
1/2"=1"

General Notes

No.	Revision/Issue	Date

Firm Name and Address
Melissa Sausman

Project Name and Address

Project Homework	Sheet
Date 4-30-2010	
Scale NTS	