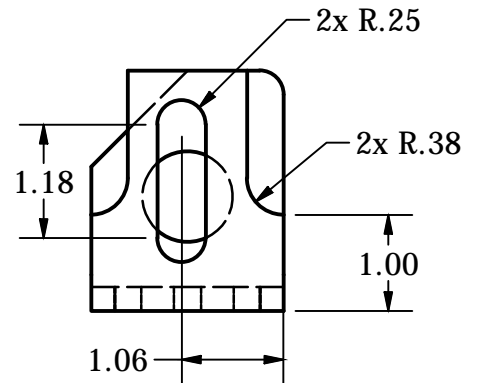
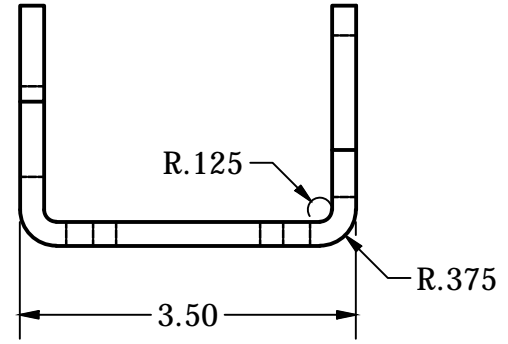
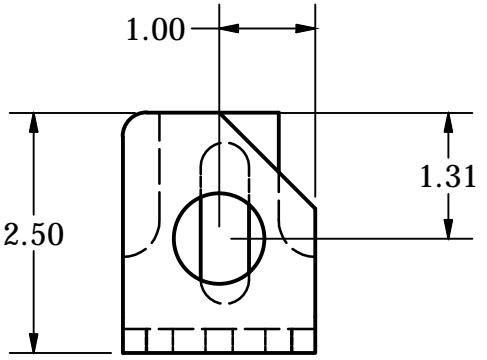
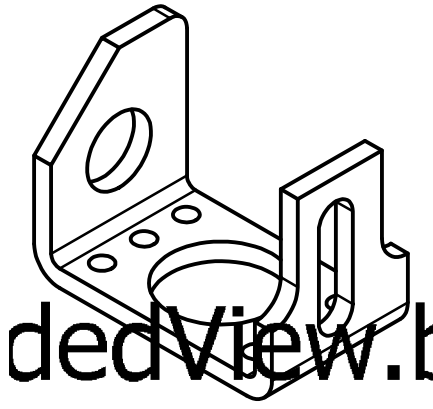
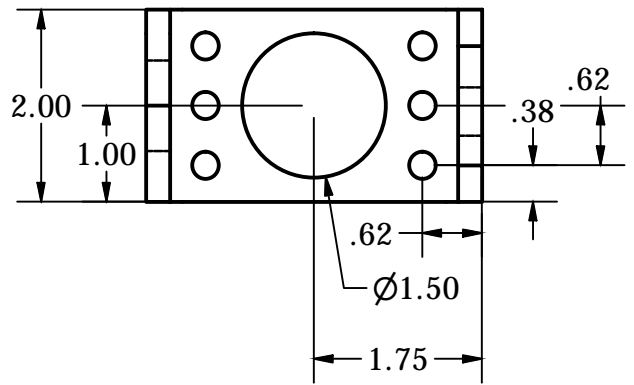


2

1



B

B

A

A

A

A

2

1

DRAWN 08440098	10/25/2010	Melissa Sausman		
CHECKED		TITLE		
QA		Page 155 #10		
MFG		SIZE A	DWG NO Part2-Invent 2	REV
APPROVED		SCALE	SHEET 2 OF 2	

A